



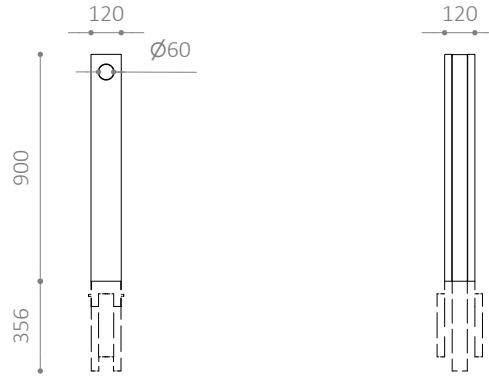
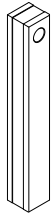
## WOOD BICYCLE BOLLARD AND WOOD BOLLARD

Design: VE2

A simple yet distinctive bollard  
Bicycle leaning rack with easy locking option for regular and cargo bicycle  
Bollard and bicycle leaning rack can create a coherent look when used in combination



## Wood C



## Wood



### WOOD BICYCLE BOLLARD AND WOOD BOLLARD

- A simple yet distinctive bollard
- Bicycle leaning rack with easy locking option for regular and cargo bicycle
- Bollard and bicycle leaning rack can create a coherent look when used in combination
- Also available in any RAL colour

### MATERIALS:

- Azobe wood
- Hot-dip galvanised steel
- Also available in powder-coated, hot-dip galvanised steel

### DIMENSIONS:

Post: 120 x 120 mm Azobe wood

### INSTALLATION:

- To be embedded
- Recommended distance: Min. 600 mm interval between each bollard
- Recommended base dimensions  $\varnothing 400 \times H600$  mm
- Distance from ground to upper edge: 900 mm