



TYPE A5 BARRIER

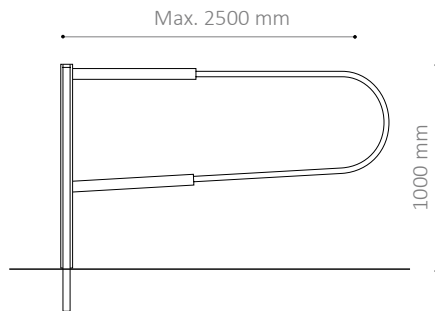
Design: HITSÅ

Swing barrier

4 locking positions – suitable for padlocking

The length can be adjusted to suit customer requirements (Max. length: 2500 mm)

TYPE A5



TYPE A5 BARRIER

- Swing barrier
- 4 locking positions – suitable for padlocking
- The length can be adjusted to suit customer requirements
- Max. length: 2500 mm
- Optional extra: Red, yellow or white reflective strip
- Also available in any RAL colour

MATERIALS:

- Hot-dip galvanised steel
- Also available in powder-coated, hot-dip galvanised steel

DIMENSIONS:

Barrier arm: $\varnothing 60/49$ mm steel tube

Outer post: $\varnothing 90$ mm steel tube

Inner post: $\varnothing 76$ mm steel tube

INSTALLATION:

- To be embedded
- Recommended base dimensions: $\varnothing 400 \times H900$ mm
- Distance from ground to top edge: 1000 mm