



TYPE A BARRIER

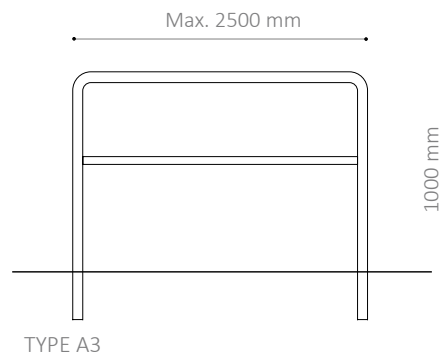
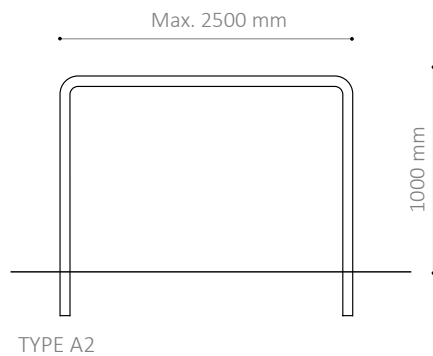
Design: HITSA

Fixed barrier, the length can be adjusted to suit customer requirements

Max. length A2: 2500 mm

Max. length A3 (with extra bar): 3500 mm

TYPE A



TYPE A BARRIER

- Fixed barrier
- The length can be adjusted to suit customer requirements
- Max. length A2: 2500 mm
- Max. length A3 (with extra bar): 3500 mm
- Optional extra: Red, yellow or white reflective strip
- Also available in any RAL colour

MATERIALS:

- Hot-dip galvanised steel
- Also available in powder-coated, hot-dip galvanised steel

DIMENSIONS:

Ø60 mm steel tube

INSTALLATION:

- Cemented in
- Recommended base dimensions: Ø200 x H600 mm
- Distance from ground to top edge: 1000 mm