



LENTA BOLLARD

Design: GINMAN, HARBOE, BORUP LANDSKABSARKITEKTER

Round top with 1 groove

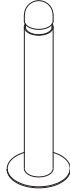
Available as stationary bollard in one piece or removable bollard with top lock or side lock

Available in tiltable version (30°) with rubber joint (LENTA FLEX)

Lenta Ø114 N



Lenta Ø114 F



Lenta Ø114 T



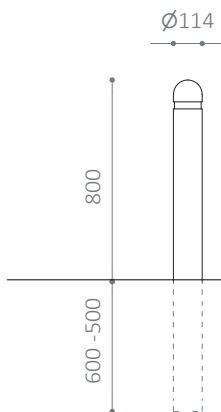
Lenta Ø114 S



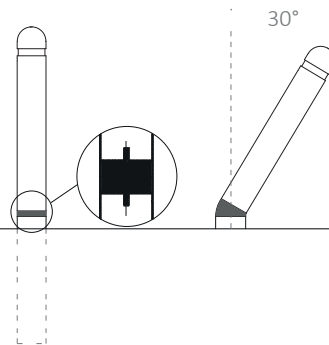
Lenta Ø114 Flex



Lenta Ø114



Lenta Ø114 Flex

**LENTA BOLLARD**

- Round top with 1 groove
- Available as stationary bollard in one piece
- Available as removable bollard with top lock
- can be removed using a triangular key
- Available as removable bollard with side lock - padlock not included
- Available in tiltable version (30°) with rubber joint (LENTA FLEX)
- Optional extra: Red, yellow or white reflective band
- Optional extra: Eyes, shackles and chains
- Also available in any RAL colour

MATERIALS:

- Hot-dip galvanised steel
- Also available in powder-coated, hot-dip galvanised steel

DIMENSIONS:

Ø114 mm

INSTALLATION:

- Available for embedding or bolting to the foundation
- Recommended base dimensions: Ø300 x H600 mm
- Recommended base dimensions LENTA FLEX Ø400 x H600 mm
- Distance from ground to upper edge: 800 mm