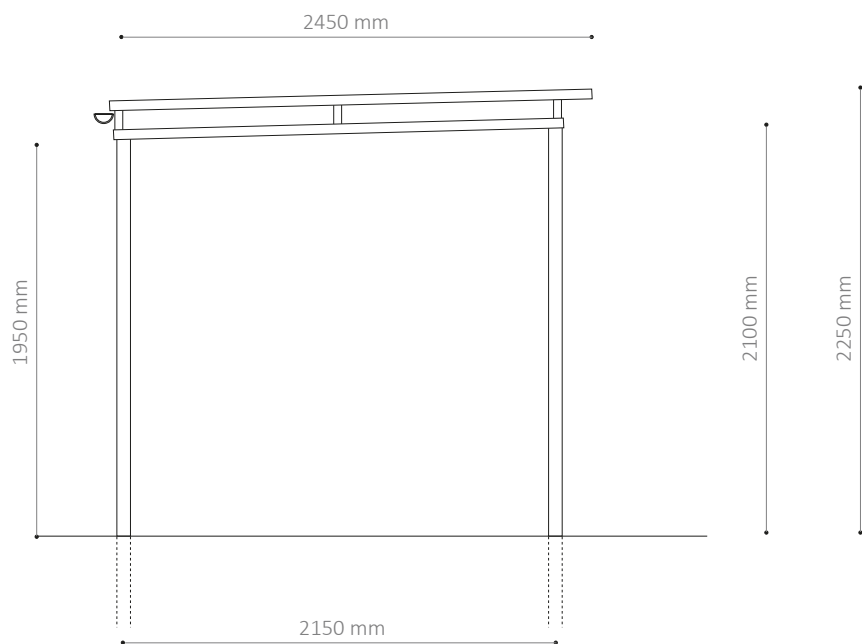


ROBERT E



ROBERT D

