



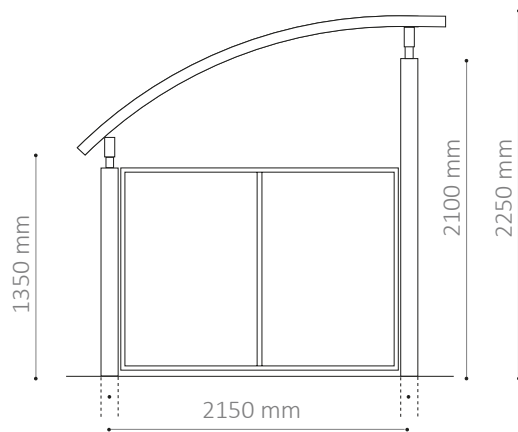
JF HH SHELTER

Design: HITSA

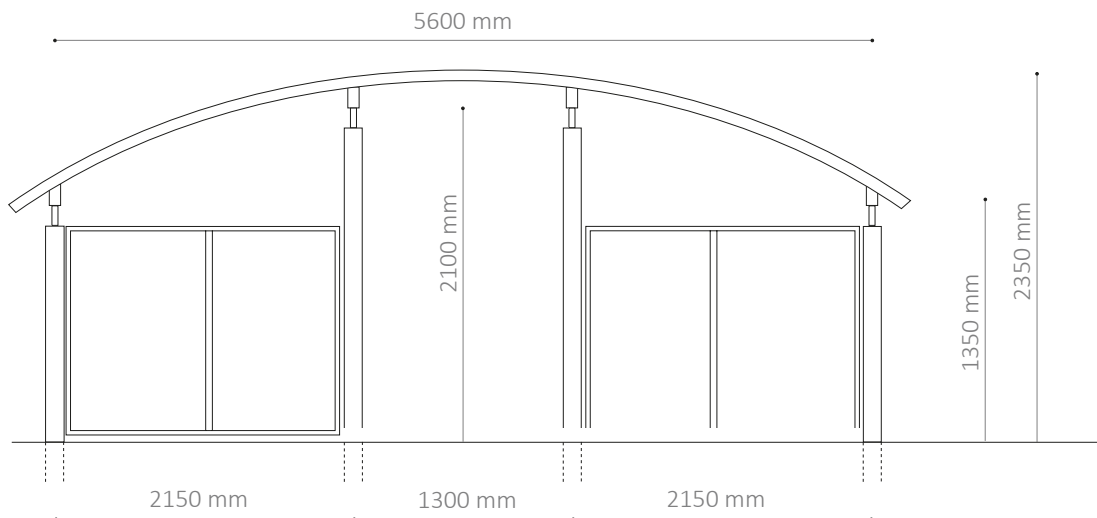
Modular – extra bays can be added to extend the shelter (bays up to 4 metres)
Available as single-sided (depth: 2150 mm) or double-sided (depth: 5600 mm)
Can be used as both a bicycle shelter and bin shelter



JFHH E



JFHH D



JF HH SHELTER

- Modular – extra bays can be added to extend the shelter (bays up to 4 metres)
- Available as single-sided (depth: 2150 mm) or double-sided (depth: 5600 mm)
- Optional extra: Steel guttering and drainpipe down to the ground
- Optional extra: Side panels, 1-4 sides
- Optional extra: Sliding door(s)
- Optional extra: LED lighting

MATERIALS:

- Hot-dip galvanised steel
 - Also available in powder-coated, hot-dip galvanised steel.
- The following components are not powder-coated: roof panels, roof strip, guttering, drainpipes and aluminium edge strips, any door rails, etc.

STANDARD ROOF TYPES:

- 1.5 mm smooth steel panels, hot-dip galvanised

STANDARD PANEL MATERIALS:

- 2 mm Ø 10 mm perforated panels
- 2 mm smooth steel panels
- 50 x 50 mm wire mesh
- 34 x 68 mm mahogany (FSC®-certified) rhombus profiles, horizontal installation
- 34 x 68 mm thermo ash rhombus profiles, horizontal installation

DIMENSIONS:

Columns: Ø 114 x 3 mm tubular steel
 Rafters: 60 x 40 x 3 mm rectangular profile
 Transverse supporting beam: 100 x 50 x 3 mm rectangular profile
 Roof strip: 50 x 3 mm flat steel

INSTALLATION:

- To be cemented in on site. Installation according to instructions from HITSÅ.