



## LANE BUS SHELTER

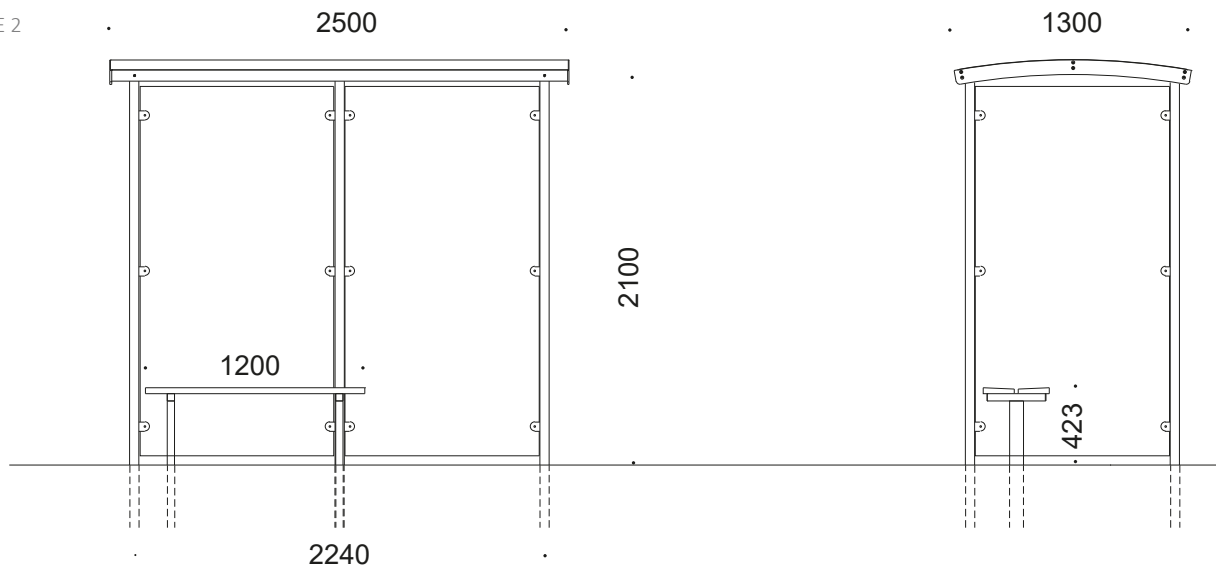
Design: HITSA

Standard bus shelter

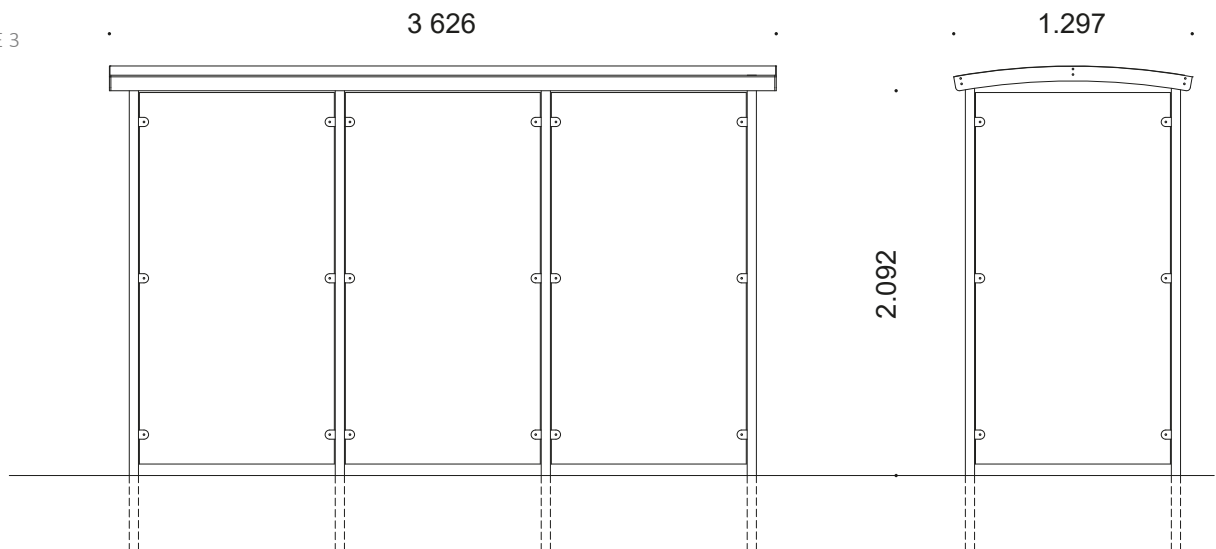
1 or 2 benches depending on the length

Can be supplied with panels in front bays and cladding in expanded metal

LANE 2



LANE 3



#### LANE BUS SHELTER

- 3 bay bus stop is supplied with two benches
- Can be supplied with panels in front bays
- Can be supplied with cladding in expanded metal

#### MATERIALS:

- Bench: Hot-dip galvanised steel, also available in RAL colours
- Slats in oil-treated, (FSC®-certified) mahogany

#### DIMENSIONS:

Columns: 50 x 50 mm hot-dip galvanised steel  
Purlin tubing: 60 x 30 mm hot-dip galvanised steel  
Roof: 1.5 mm hot-dip galvanised steel sheet panel  
Panels: 10 mm laminated glass

#### INSTALLATION:

- Embedment or pre-cast concrete base
- Concrete base 2 bay: 1300 x 2500 x 150 mm
- Concrete base 3 bay: 1300 x 3620 x 150 mm



The mark of responsible forestry

HITSA A/S  
Albuen 37  
DK 6000 Kolding  
+45 75 57 41 55  
hitsa@hitsa.com  
www.hitsa.com

**HITSA**  
WE SUPPLY OUTDOOR SPACES