

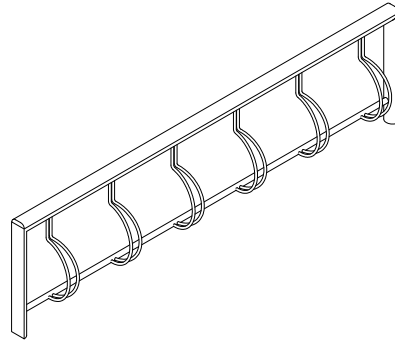
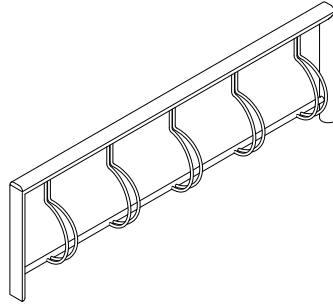
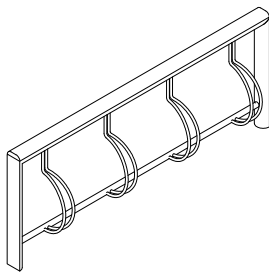


LUNA BIKE RACK

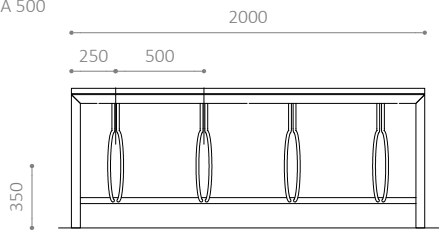
Design: PELIKAN COPENHAGEN

Stylish bicycle rack with wooden bar
Tapered wheel holders suitable for all types of tyres
Available as single or double-sided
Also available in any RAL colour

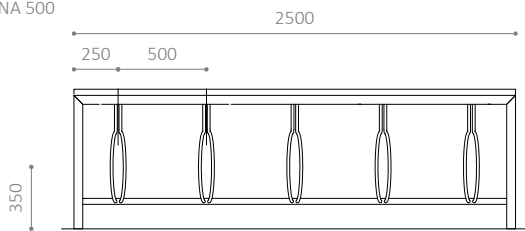




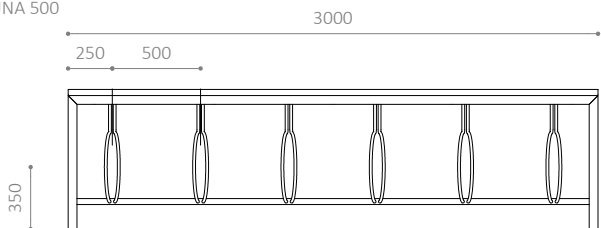
LUNA 500



LUNA 500



LUNA 500



LUNA BIKE RACK

- Stylish bicycle rack with wooden bar
- Tapered wheel holders suitable for all types of tyres
- Available as single or double-sided
- Also available in any RAL colour

MATERIALS:

- Hot-dip galvanised steel
- Also available in powder-coated, hot-dip galvanised steel
- Oil-treated FSC®-certified mahogany
- other types of wood available on request

DIMENSIONS:

Frame: D-shaped tubing 50 x 100 mm
Wheel holders: Ø 16 mm

Struts: Ø 33 mm

Wooden bar: 30 x 100 mm

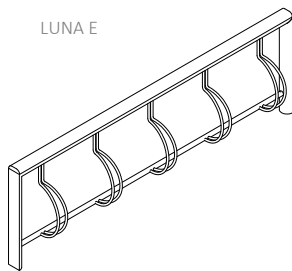
Distance between wheel holders: c/c 500 mm

SIZES:

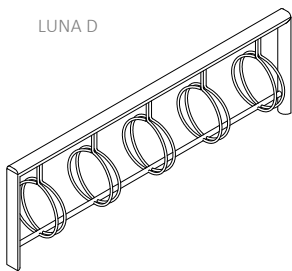
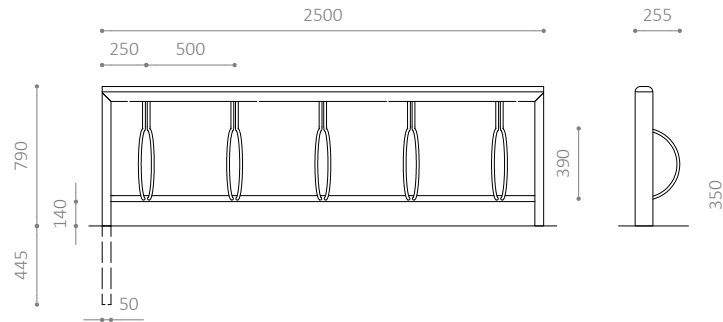
- Single-sided: 4, 5 or 6 parking spaces
- Double-sided: 8, 10 or 12 parking spaces

INSTALLATION:

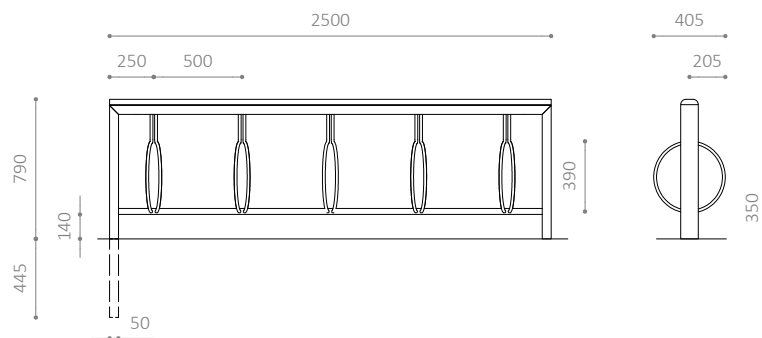
- Can be cemented in
- Recommended base dimensions: Ø 300 x H 600 mm
- Distance from ground to upper edge: 790 mm
- Distance from ground to centre of wheel holder: 350 mm
- Distance from ground to lower edge of wheel holder: 140 mm



LUNA E



LUNA D



LUNA BIKE RACK

- Stylish bicycle rack with wooden bar
- Tapered wheel holders suitable for all types of tyres
- Available as single or double-sided
- Also available in any RAL colour

MATERIALS:

- Hot-dip galvanised steel
- Also available in powder-coated, hot-dip galvanised steel
- Oil-treated FSC®-certified mahogany
- other types of wood available on request

DIMENSIONS:

Frame: D-shaped tubing 50 x 100 mm
Wheel holders: Ø 16 mm

Struts: Ø 33 mm

Wooden bar: 30 x 100 mm

Distance between wheel holders: c/c 500 mm

SIZES:

- Single-sided: 4, 5 or 6 parking spaces
- Double-sided: 8, 10 or 12 parking spaces

INSTALLATION:

- Can be cemented in
- Recommended base dimensions: Ø 300 x H 600 mm
- Distance from ground to upper edge: 790 mm
- Distance from ground to centre of wheel holder: 350 mm
- Distance from ground to lower edge of wheel holder: 140 mm