



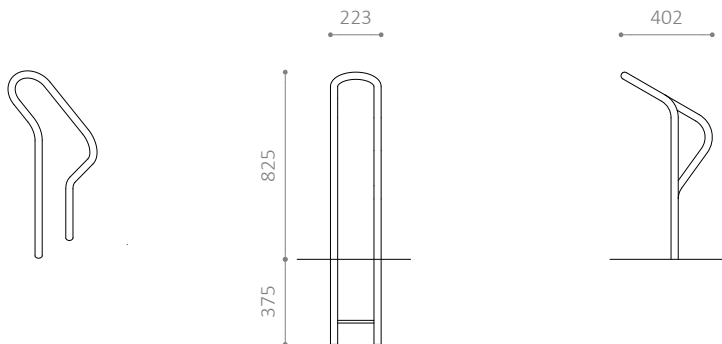
LARGO BICYCLE BOLLARD

Design: HITSA

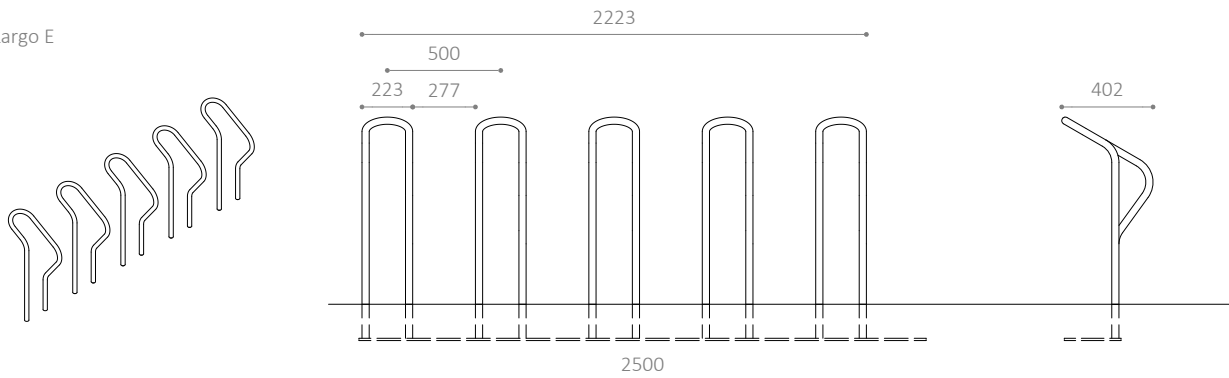
Single rack with option of locking bicycle

Available on a track with 3, 4 or 5 parking spots if single-sided and 6, 8 or 10 parking spots if double-sided

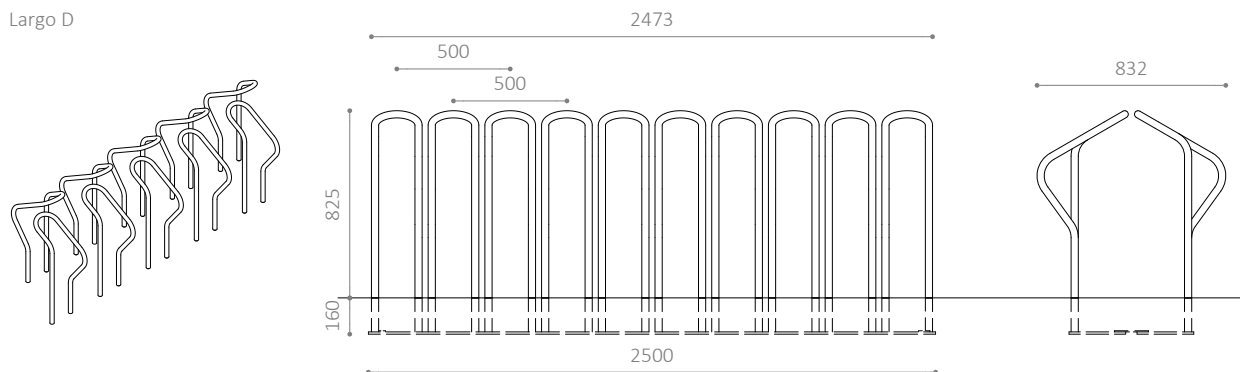
Largo



Largo E



Largo D



LARGO BICYCLE BOLLARD

- Single rack with option of locking bicycle
- Half of the bicycle is rolled into the clamp
- Available on a track with 3, 4 or 5 parking spots if single-sided and 6, 8 or 10 parking spots if double-sided
- Also available in any RAL colour

MATERIALS:

- Hot-dip galvanised steel
- Also available in powder-coated, hot-dip galvanised steel

DIMENSIONS:

Clamps: $\varnothing 32$ mm

INSTALLATION:

- Single rack is embedded
- Track-mounted racks are fitted 150 mm below ground - embedding is not necessary
- Recommended distance: c/c 500 mm
- Recommended base dimensions: $\varnothing 300$ x H600 mm
- Distance from ground to upper edge: 825 mm